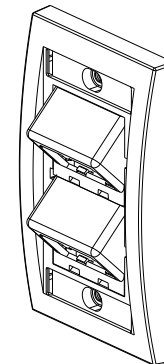
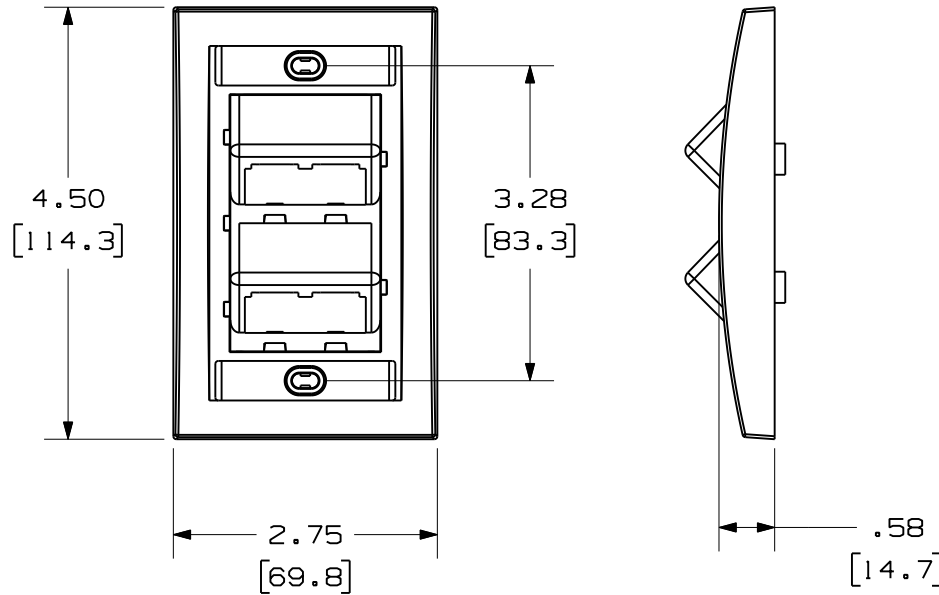


THIS COPY IS PROVIDED ON A RESTRICTED BASIS AND IS NOT TO BE USED IN ANY WAY DETRIMENTAL TO THE INTERESTS OF PANDUIT CORP.

PANDUIT P/N	WEIGHT
CFPSE4**Y	.91 LB/10 PCS (412.8 g/10 PCS.)

NOTES:

1. SEE CURRENT CATALOG FOR ADDITIONAL PART NUMBER SUFFIXES TO INDICATE COLOR AND OR PACKAGE QUANTITY.
2. SEE CATALOG FOR COMPLETE LIST OF PARTS APPLICABLE FOR USE WITH THIS PART.
3. DIMENSIONS IN () ARE METRIC.
4. PART INCLUDES:
 - 1- CBE** FACEPLATE FRAME
 - 2- #6-32 X 1" MOUNTING SCREW
 - 2- LABEL
 - 2- LABEL COVER
 - 2- CHS2**-X INSERT



MODEL FILENAME	D35544BF/02	SIZE	A
DRAWING FILENAME	M02479FA_DC133/00B		

MINI-COM SLOPED EXECUTIVE SERIES
FACEPLATE KIT CUSTOMER DRAWING

	PANDUIT ™ CORP. TINLEY PARK, ILL 60477	I.I. NUMBER	N/A
		PRODUCT SPEC	N/A
	ALL DIMENSIONS ARE GIVEN IN INCHES, UNLESS OTHERWISE SPECIFIED. DIMENSIONAL TOLERANCES ARE: (.X) ± (.XXX) ± .010(.3) (.XX) ± .03(.8) ANGLES ±	WORK INSTRUCTION	N/A
		SCALE	NONE
DRAWN BY	JsP	MATERIAL:	ABS
DATE	4-27-06		
CHK'D	TCK	PART NO.	CFPSE4**Y
		DRAWING NO.	02479-133

REV	DATE	BY	CHK	DESCRIPTION	ECN	R	CUST	SUP	OTH
I	7-01-09	MDJr	TCK	A. CHS2**-X WAS CHS2S**.	02479-133		MMR		
R	4-27-06	JsP		RELEASED TO PRODUCTION	02479-133				